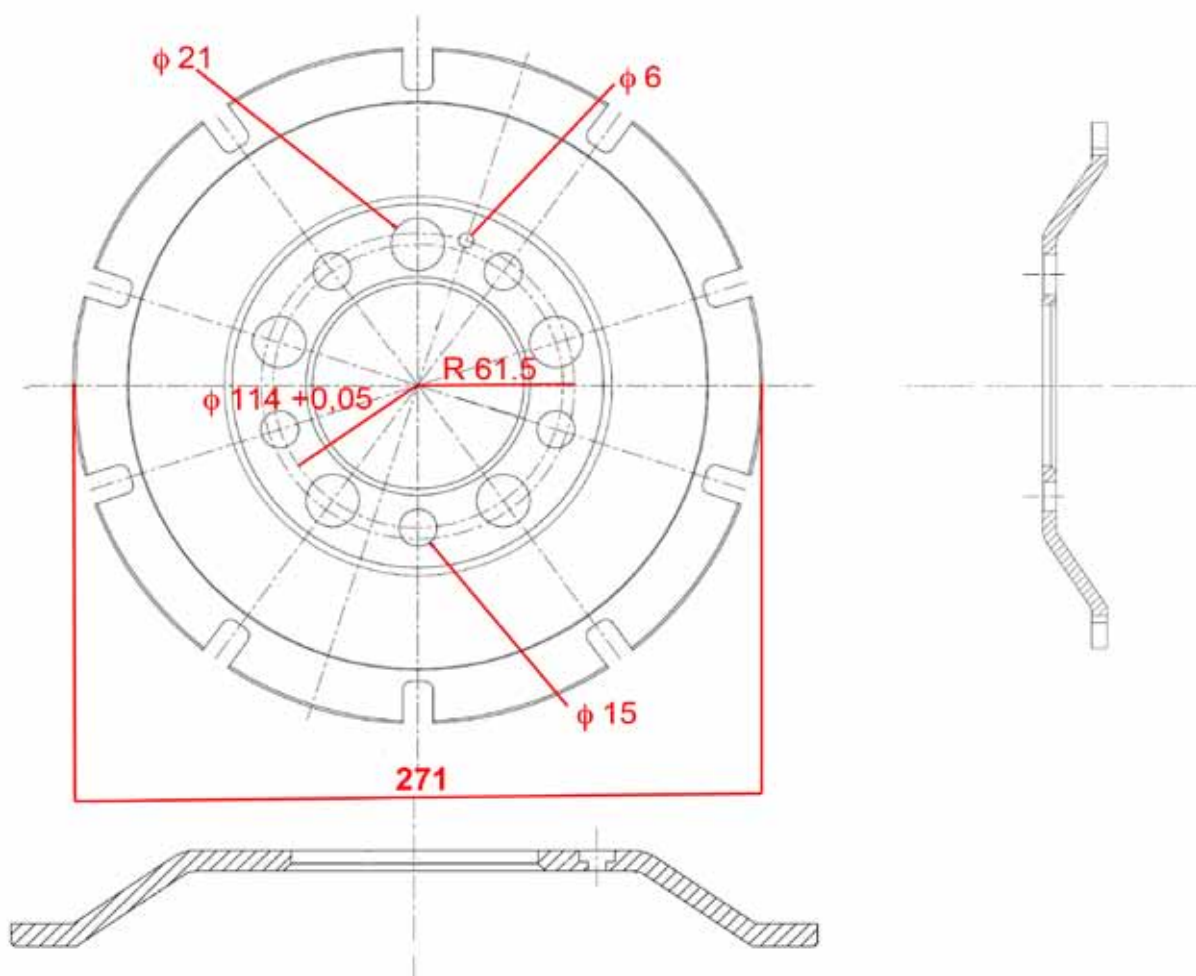




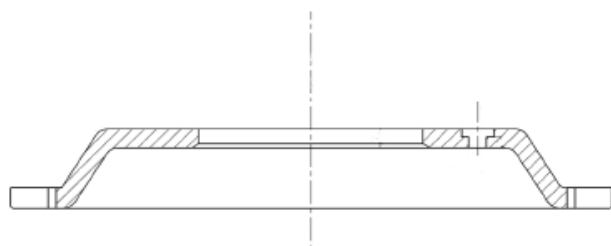
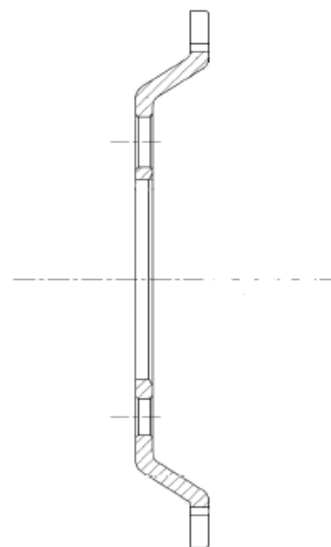
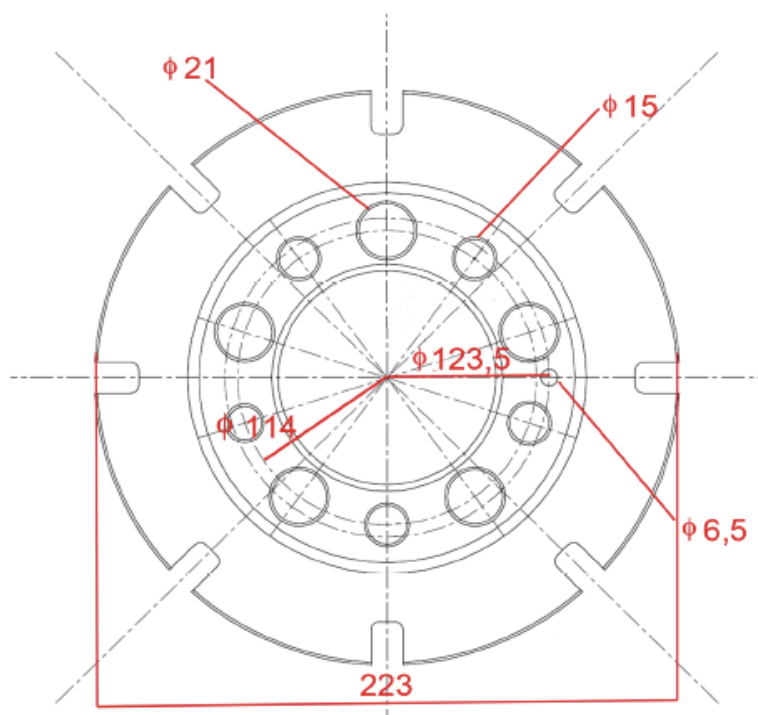
Performance

www.tlperformance.it

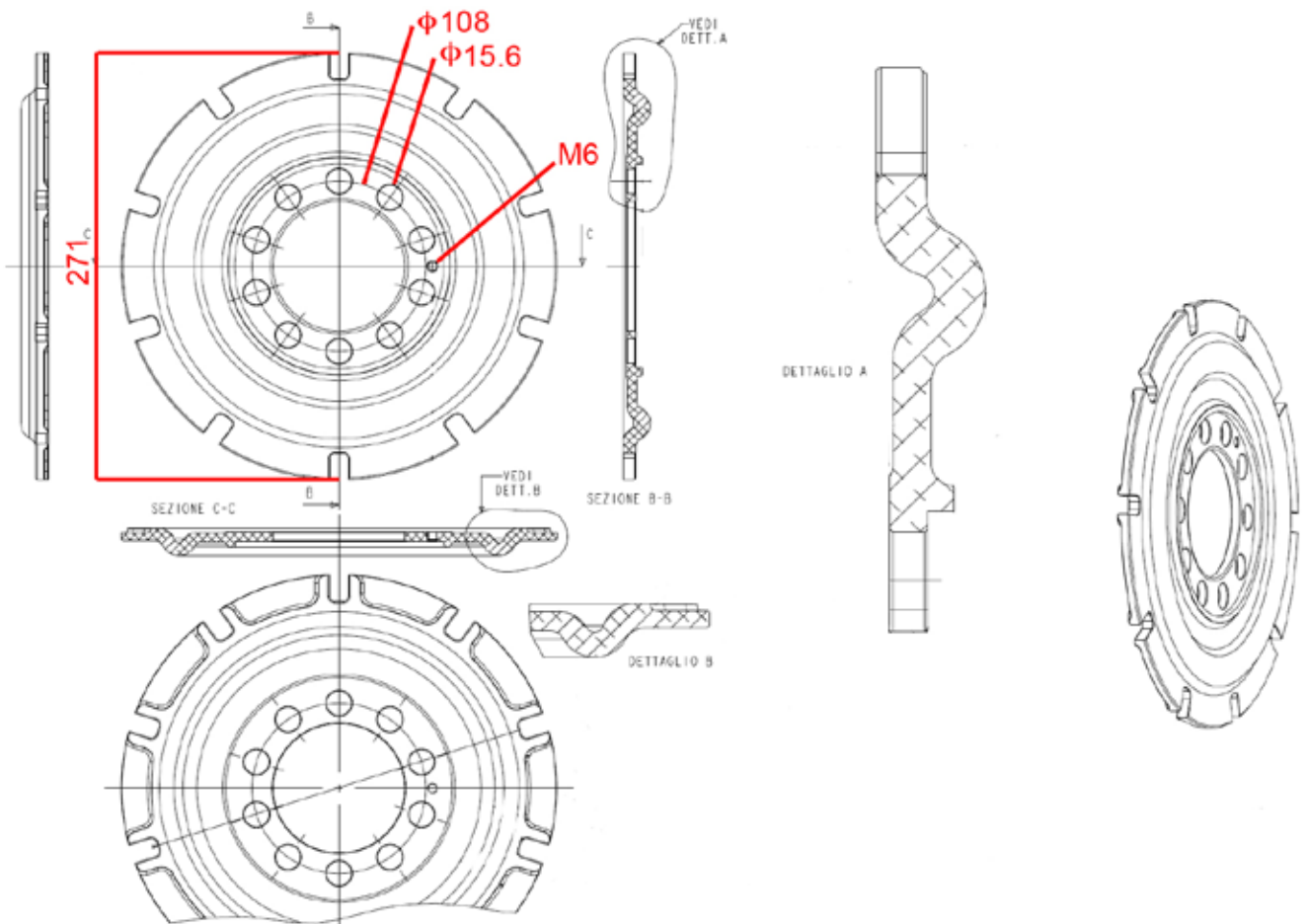
code	description
82.33.2716.01	Brake bell Aston Martin GT3 front <i>Campana freno Aston Martin GT3 anteriore</i>



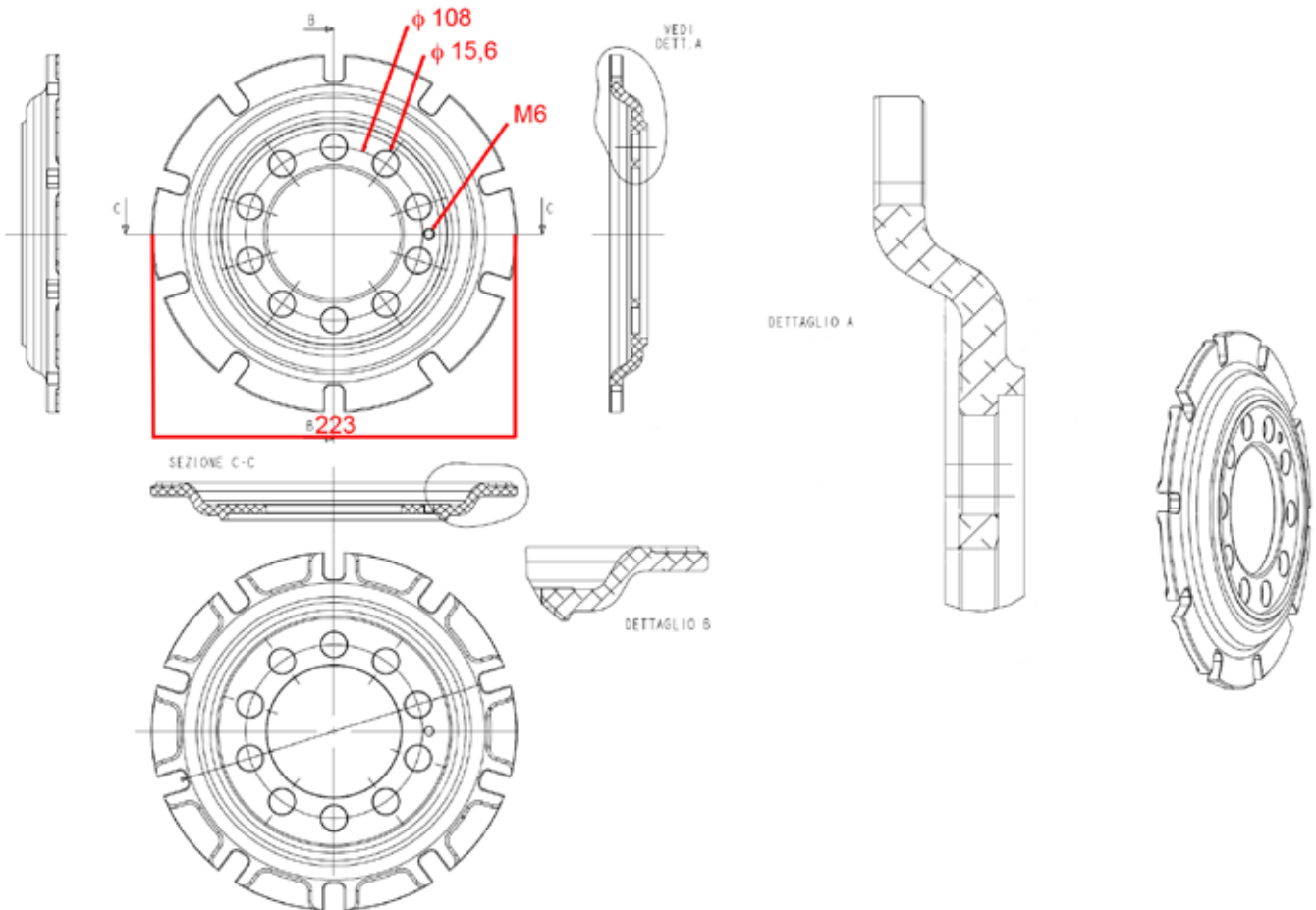
code	description
82.33.2266.01	Brake bell Aston Martin GT3 rear <i>Campana freno Aston Martin GT3 posteriore</i>



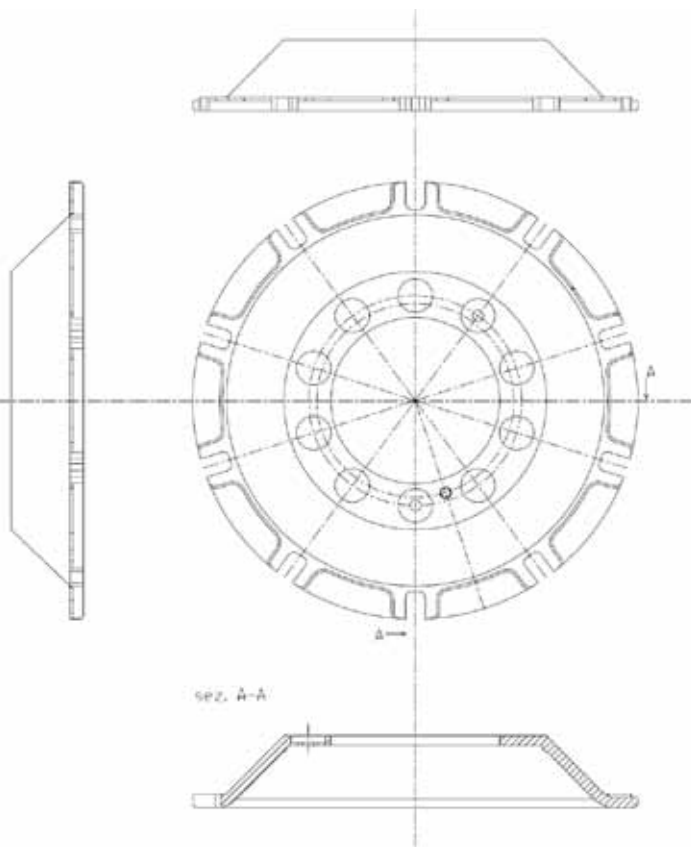
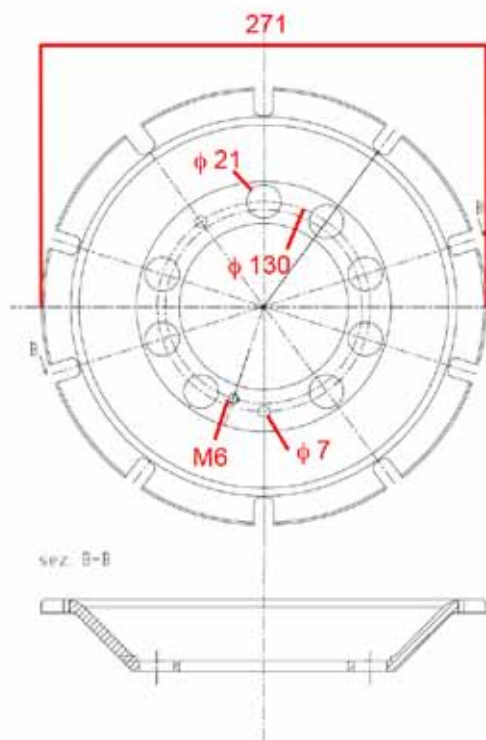
code	description
82.11.2716.01	Brake bell Ferrari F430 GT2 front 271
	<i>Campana freno Ferrari F430 GT2 anteriore 271</i>



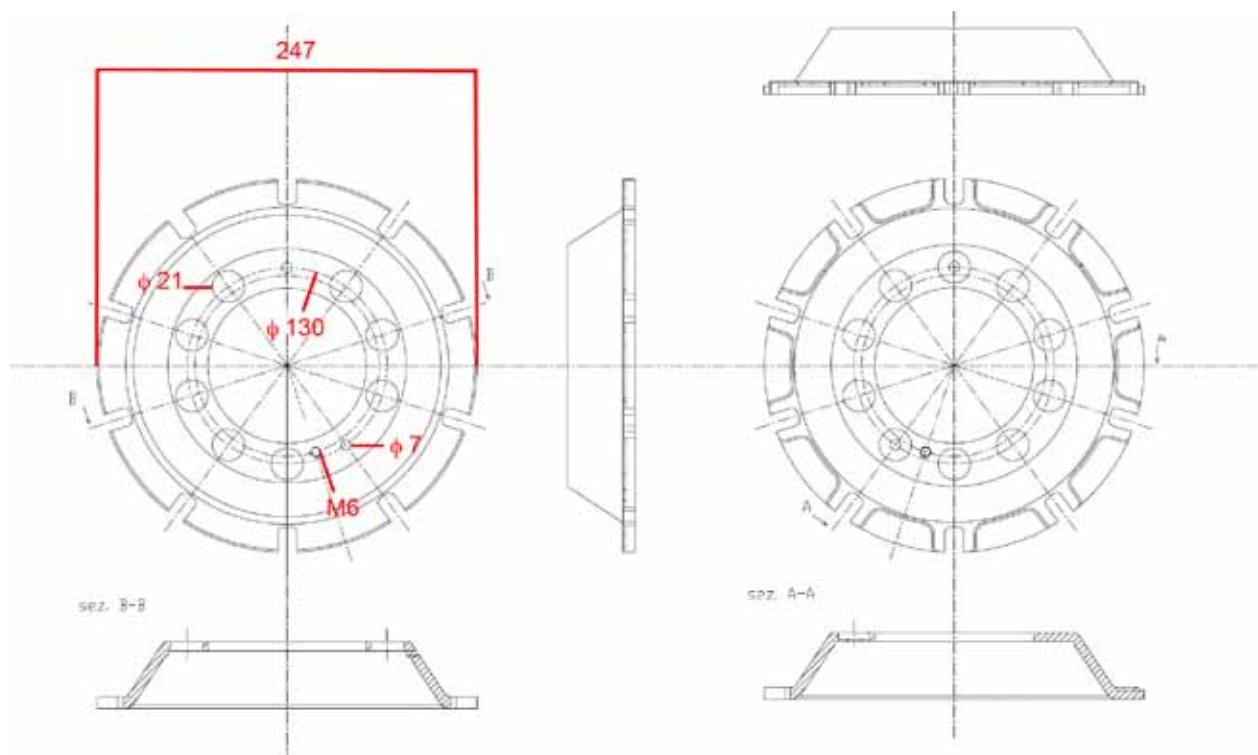
code	description
82.11.2266.01	Brake bell Ferrari F430 GT2 rear <i>Campana freno Ferrari F430 GT2 posteriore</i>



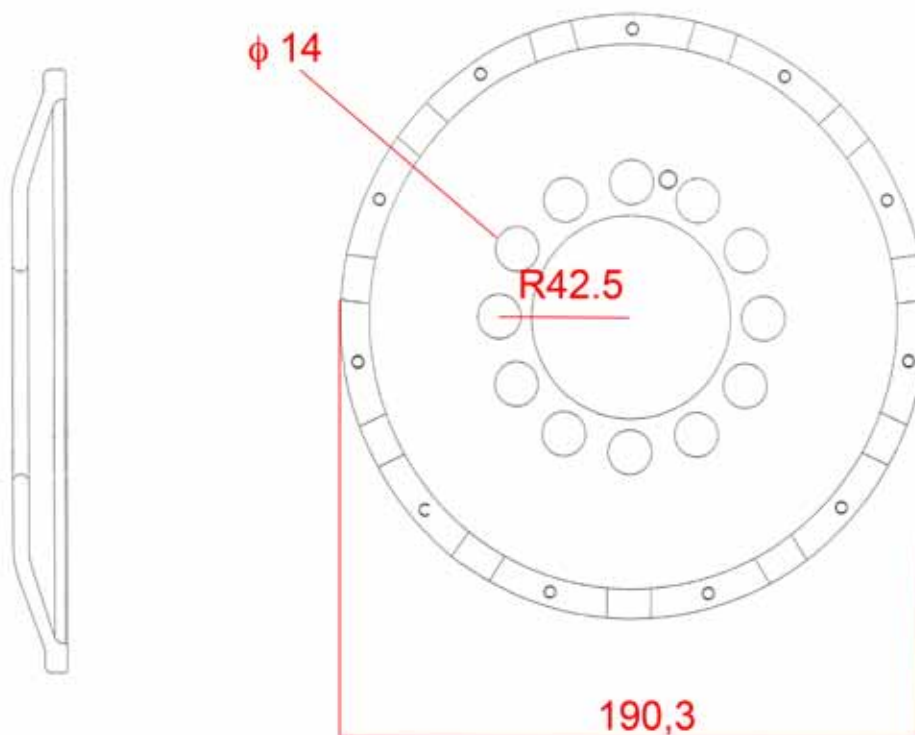
code	description
82.61.2716.01	Brake bell Porsche 997 GT2 front 271
	<i>Campana freno Porsche 997 GT2 anteriore 271</i>



code	description
82.61.2566.01	Brake bell Porsche 997 GT2 rear 247
	<i>Campana freno Porsche 997 GT2 posteriore 247</i>



code	description
82.28.1916.01	Brake bell F3 308
	<i>Campana freno F3 308</i>



Su richiesta produciamo campanelle freno di tutti i tipi e misure, a disegno o a campione, per tutti i tipi di vettura (turismo, rally, prototipi, ecc.).

On demand we can provide every kind of brake disc bell, from a sample or from a drawing, for every race car (turism, rally, prototype, etc.).





T.M. Tecnologie Meccaniche s.r.l.
Via dei Pioppi, 30 - 40010 Padulle di Sala Bolognese (BO)
tel: 051829092 - fax: 051829127
info@tmperformance.it - www.tmperformance.it