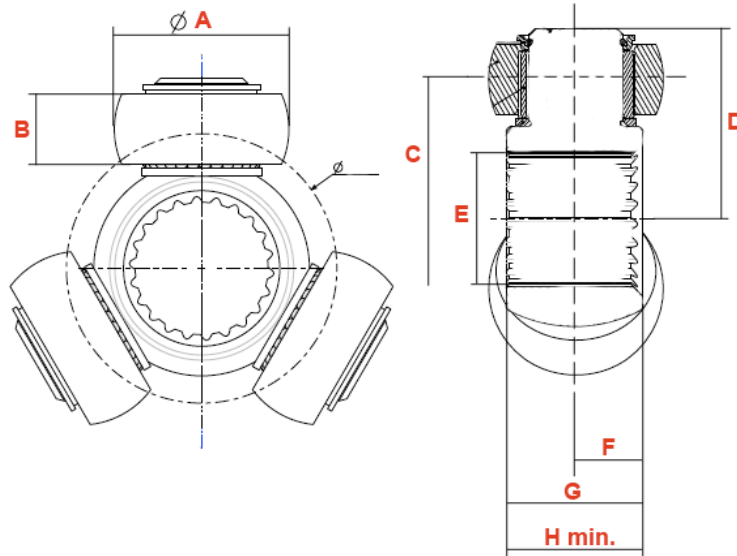




Performance

www.tlperformance.it





CODE CODICE	DESCRIPTION DESCRIZIONE	A	B	C	D	E	F	G	H		No. OF TEETH	MODULE	PRESSURE ANGLE	TORQUE CAPACITY
52.00.2230.11	TRIPOD tripode	29.95	12.0	46.4	32.8	23.5	12.0	22.6	23.5		22	1,058	45°	2000
52.00.2435.11	TRIPOD tripode	35.45	12.0	N/A	N/A	26.3	N/A	25.3	27		24	1,058	45°	2000
52.00.2734.11	TRIPOD tripode	33.95	14.5	53.3	39.4	28.5	15.2	28.6	29.95		27	1,058	45°	3300
52.00.3034.11	TRIPOD tripode	33.95	14.5	53.3	41.8	31.5	15.9	30.75	31.35		30	1,058	45°	4500



CODE CODICE	DESCRIPTION DESCRIZIONE	A	B	C	D	E	F	G	H		No. OF TEETH	MODULE	PRESSURE ANGLE	TORQUE CAPACITY
52.00.2828.61	TRIPOD tripode	48.25	17	N/A	N/A	-	-	-	27.95		28	1,058	45°	3500



T.M. Tecnologie Meccaniche S.p.A.
Via dei Pioppi, 30 - 40010 Padulle di Sala Bolognese (BO)
tel: 051829092 - fax: 051829127
info@tmperformance.it - www.tmperformance.it